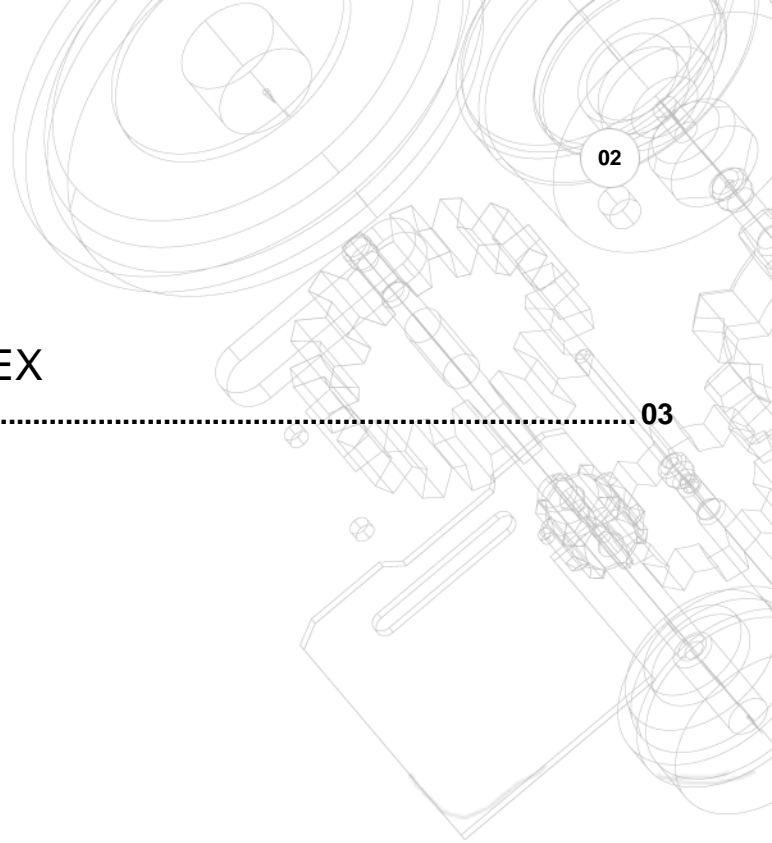




06/06/2026

# **CATALOGUE: RAISING / SHEARING / EMERIZING**





## INDEX

**RAISING / SHEARING / EMERIZING ..... 03**

## RAISING / SHEARING / EMERIZING



Reference: TIP-097  
Compactor For Dust  
Year: 1996  
Brand: Lossatex  
Width: -



Reference: CV08  
Emerizing machine  
Year: 1990  
Brand: Torres  
Width: 1900



Reference: M-1487  
Emerizing Machine  
Year: 1997  
Brand: Stamperia Emiliana  
Width: 1900



Reference: M-1709  
SHEARING & CLEANING MACHINE  
Year: 1990  
Brand: Torres Maquinaria Tèxtil  
Width: 3000



Reference: MEL-220  
SHEARING MACHINES ONE  
CUTTING HEAD  
Year: 1997  
Brand: Torres Maquinaria Tèxtil  
Width: 1800



For more machines and pictures you can visit our web site:

**WWW.COMERCIALCATALANA.COM**

We also have available:

- Dyeing / Squeezing and impregnating padder
- Inspection, rolling and packing machines
- Hydroextractors
- Winding for beam dyeing
- A-frames diferent width
- Escales
- Laboratory equipment
- Screw compressors and air dryer
- Sewing machines
- Open width sewing machines
- Hydraulics unit
- Poliester tanks for water and liquid salt
- Stainles steel tanks, diferent capacities
- Water treatment
- Land filters
- Metallic racks
- Electric fork lifts
- Reparation and maintenance service
- New TECNOLOGIES for finishing and dyeing machinery

See our Technology section within our web site [www.comercialcatalana.com](http://www.comercialcatalana.com)