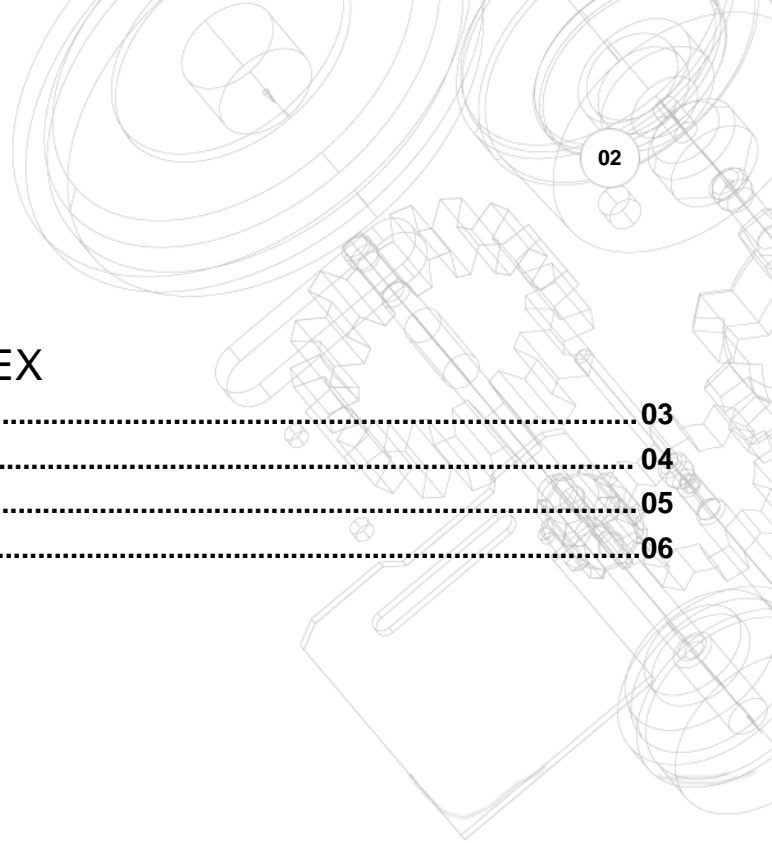




12/08/2022

TFN- FINISHING AND DYEING PLANT





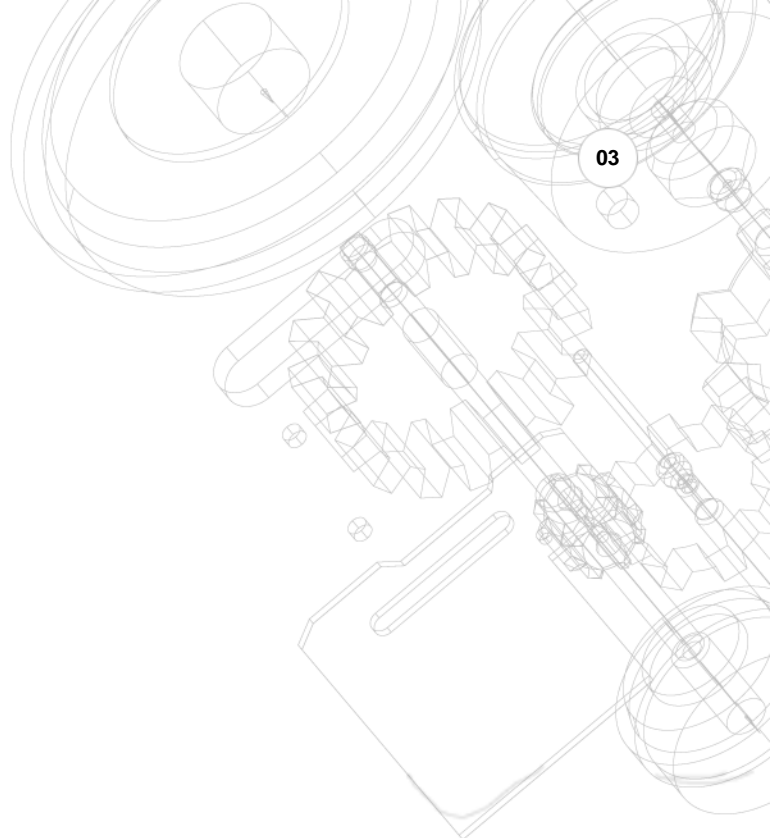
INDEX

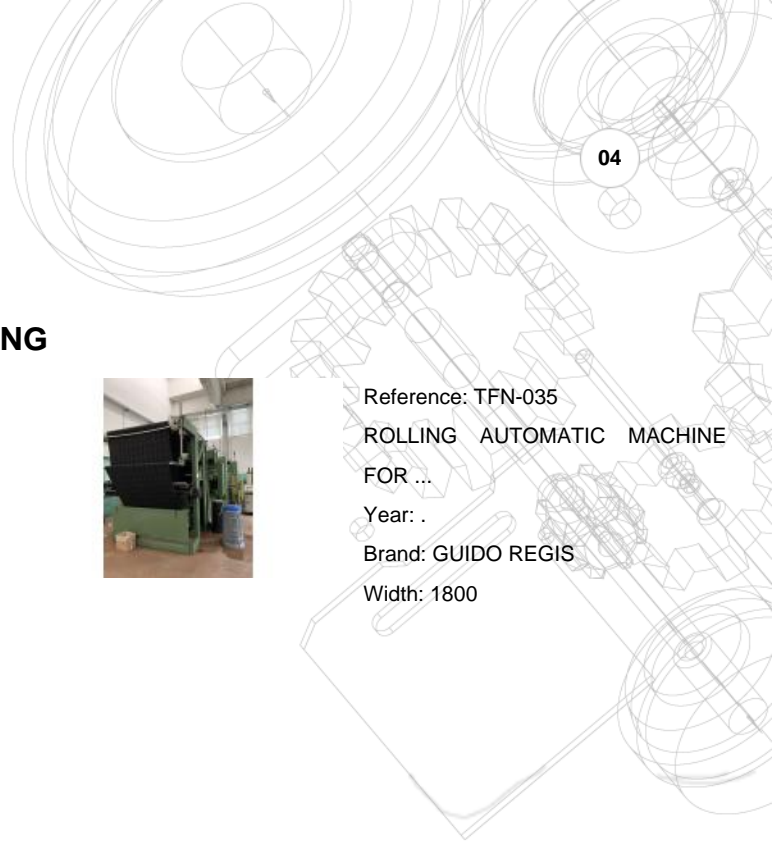
FINISHING	03
INSPECTION, ROLLING, PACKING AND DOUBLING	04
STEAMING & WASHING MACHINES	05
STENTER & DRYING MACHINES	06

FINISHING



Reference: TFN-005
WEFTSTRAIGHTENER
Year: 1992
Brand: Bianco
Width: 2000





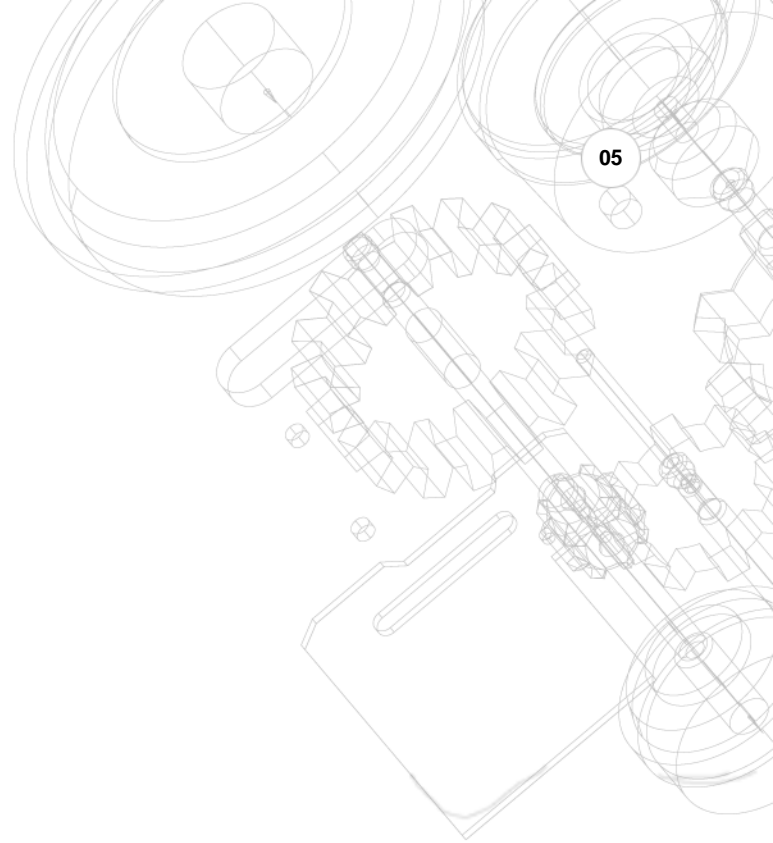
INSPECTION, ROLLING, PACKING AND DOUBLING



Reference: TFN-036
PACKING MACHINE
Year: 2002
Brand: CTM
Width: 2200



Reference: TFN-035
ROLLING AUTOMATIC MACHINE
FOR ...
Year: .
Brand: GUIDO REGIS
Width: 1800



STEAMING & WASHING MACHINES



Reference: TFN-013
WASHING MACHINE OPEN WIDTH
Year: 1998
Brand: CIMI
Width: 2000

STENTER & DRYING MACHINES



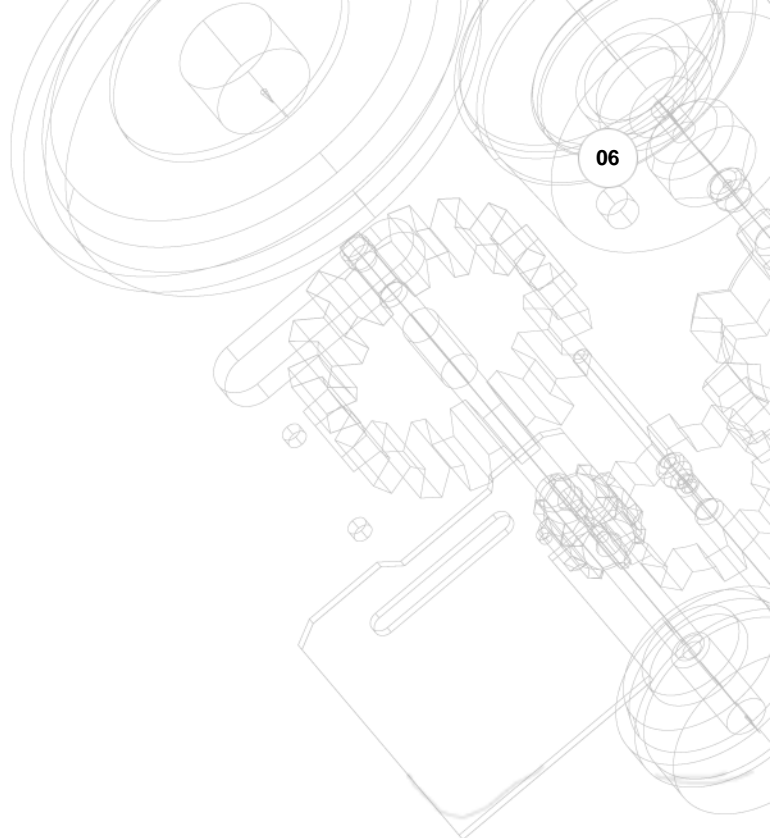
Reference: TFN-015

TUMBLER DRYER

Year: 2008

Brand: SANTEX

Width: 2000



For more machines and pictures you can visit our web site:

WWW.COMERCIALCATALANA.COM

We also have available:

- Dyeing / Squeezing and impregnating padder
- Inspection, rolling and packing machines
- Hydroextractors
- Winding for beam dyeing
- A-frames diferent width
- Escales
- Laboratory equipment
- Screw compressors and air dryer
- Sewing machines
- Open width sewing machines
- Hydraulics unit
- Poliester tanks for water and liquid salt
- Stainles steel tanks, diferent capacities
- Water treatment
- Land filters
- Metallic racks
- Electric fork lifts
- Reparation and maintenance service
- New TECNOLOGIES for finishing and dyeing machinery

See our Technology section within our web site www.comercialcatalana.com