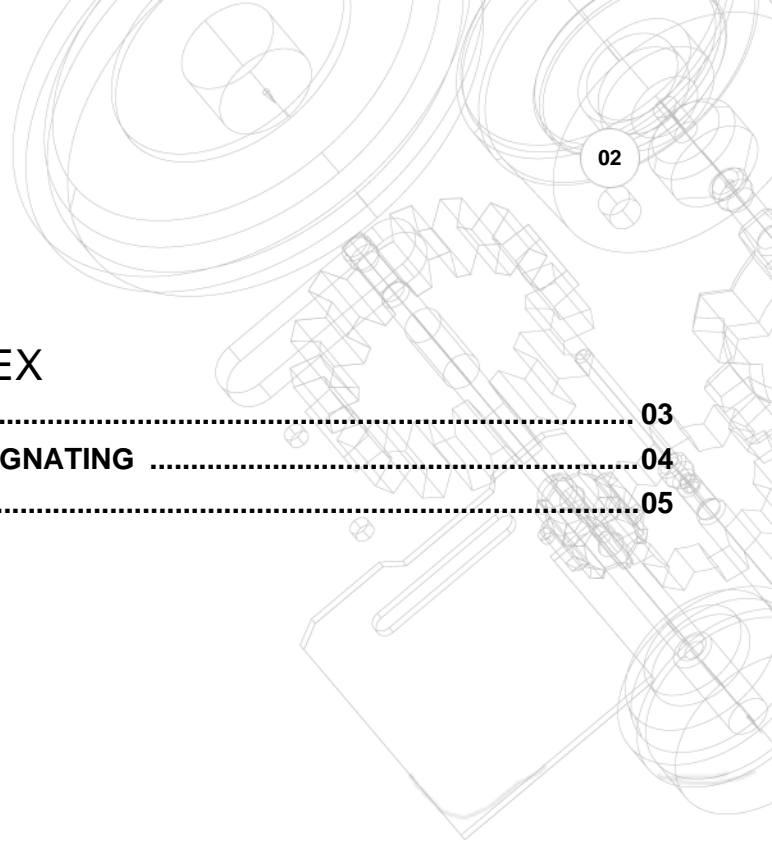




12/08/2022

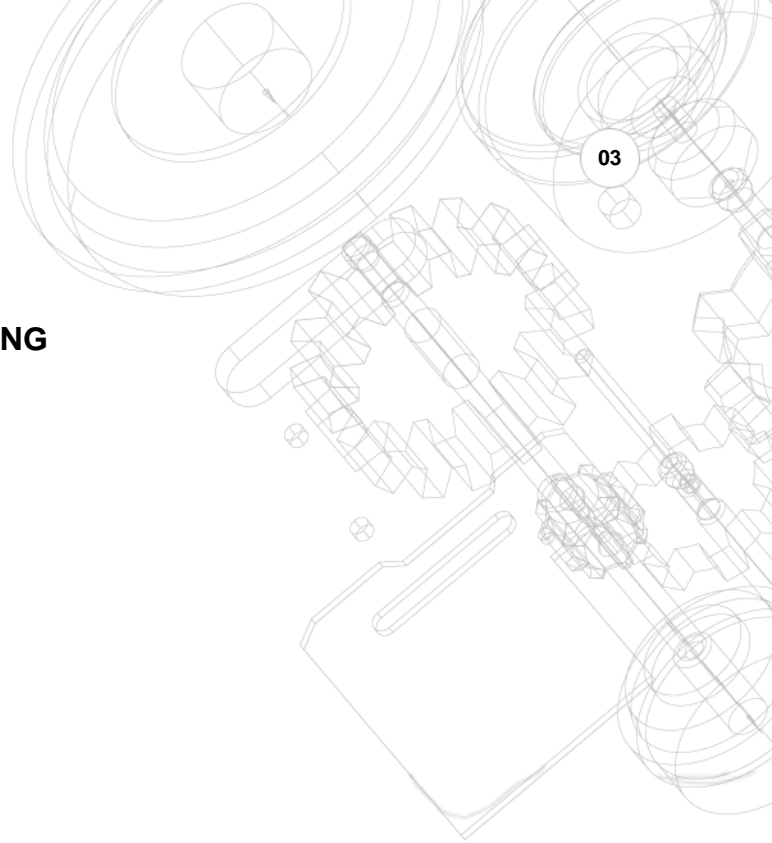
MAFITEX - FINISHING AND DYEING MACHINERY





INDEX

INSPECTION, ROLLING, PACKING AND DOUBLING	03
PADDER / FOULARD DYEING, SQUEEZING & IMPREGNATING	04
VARIOUS	05



INSPECTION, ROLLING, PACKING AND DOUBLING



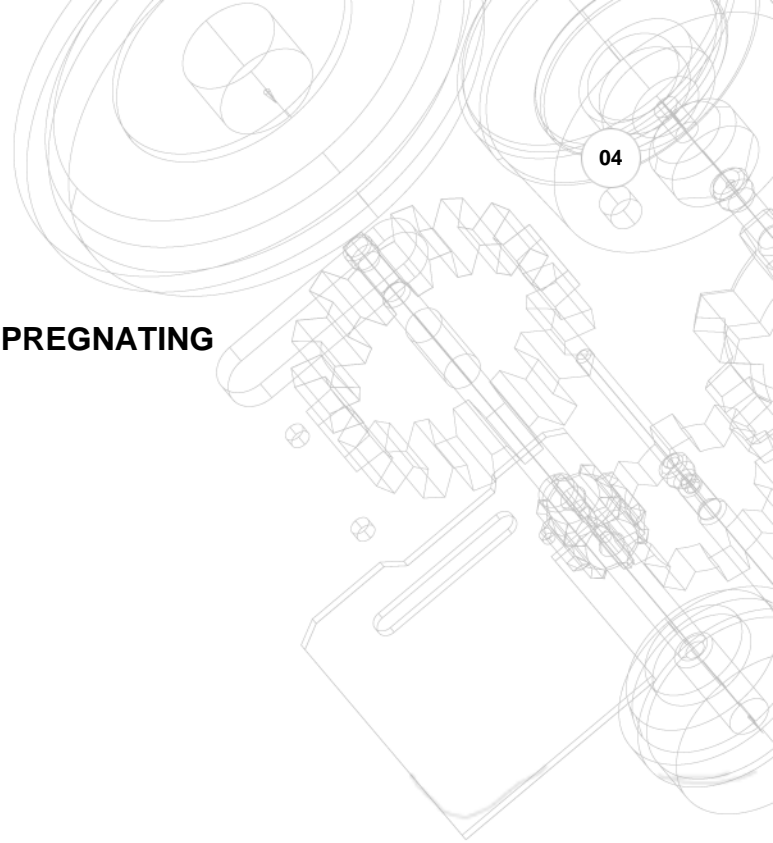
Reference: MTB-025

PACKING MACHINE

Year: 1991

Brand: Tapalsa

Width: 2400



PADDER / FOULARD DYEING, SQUEEZING & IMPREGNATING



Reference: MTB-021
IMPREGNATION PADDER
Year: .
Brand: Tapa
Width: 2000

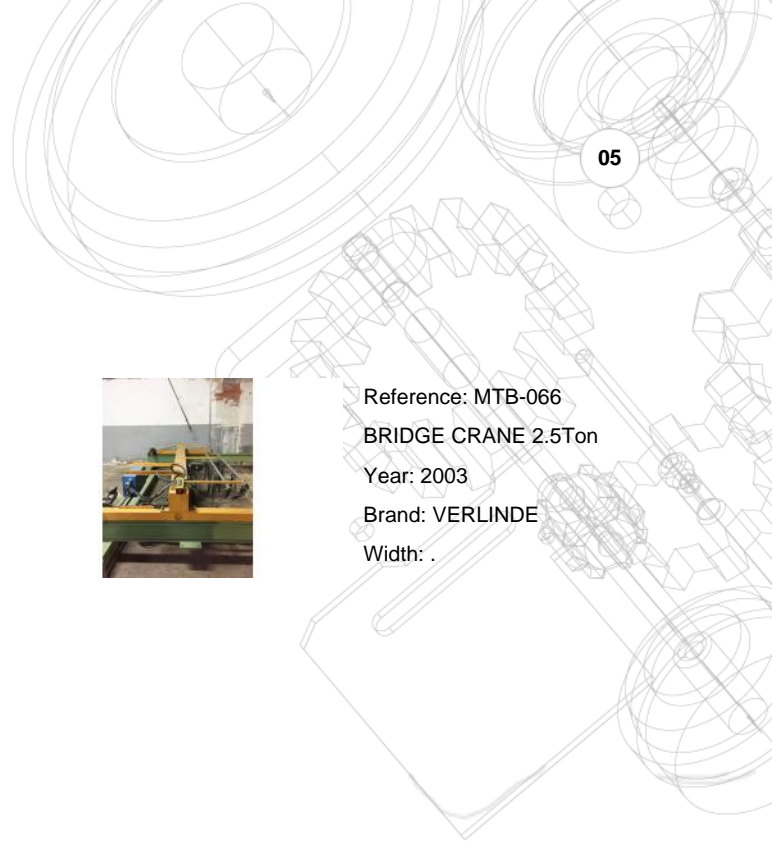
VARIOUS



Reference: MTB-071
A-FRAME D325*2000mm 1 units
Year: .
Brand: .
Width: 2000



Reference: MTB-066
BRIDGE CRANE 2.5Ton
Year: 2003
Brand: VERLINDE
Width: .





For more machines and pictures you can visit our web site:

WWW.COMERCIALCATALANA.COM

We also have available:

- Dyeing / Squeezing and impregnating padder
- Inspection, rolling and packing machines
- Hydroextractors
- Winding for beam dyeing
- A-frames diferent width
- Escales
- Laboratory equipment
- Screw compressors and air dryer
- Sewing machines
- Open width sewing machines
- Hydraulics unit
- Poliester tanks for water and liquid salt
- Stainles steel tanks, diferent capacities
- Water treatment
- Land filters
- Metallic racks
- Electric fork lifts
- Reparation and maintenance service
- New TECNOLOGIES for finishing and dyeing machinery

See our Technology section within our web site www.comercialcatalana.com