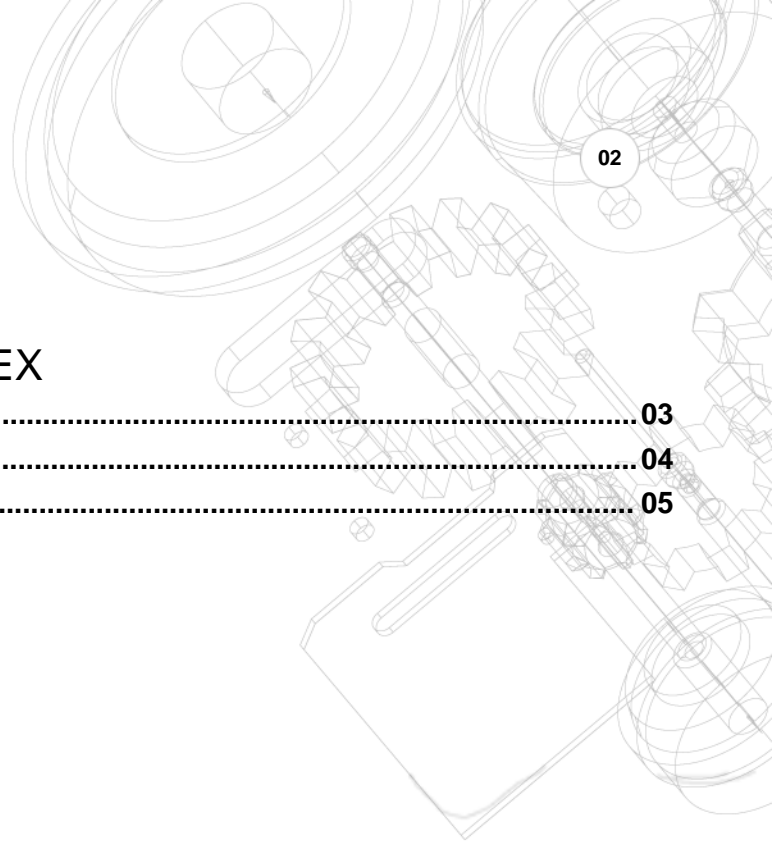




05/06/2023

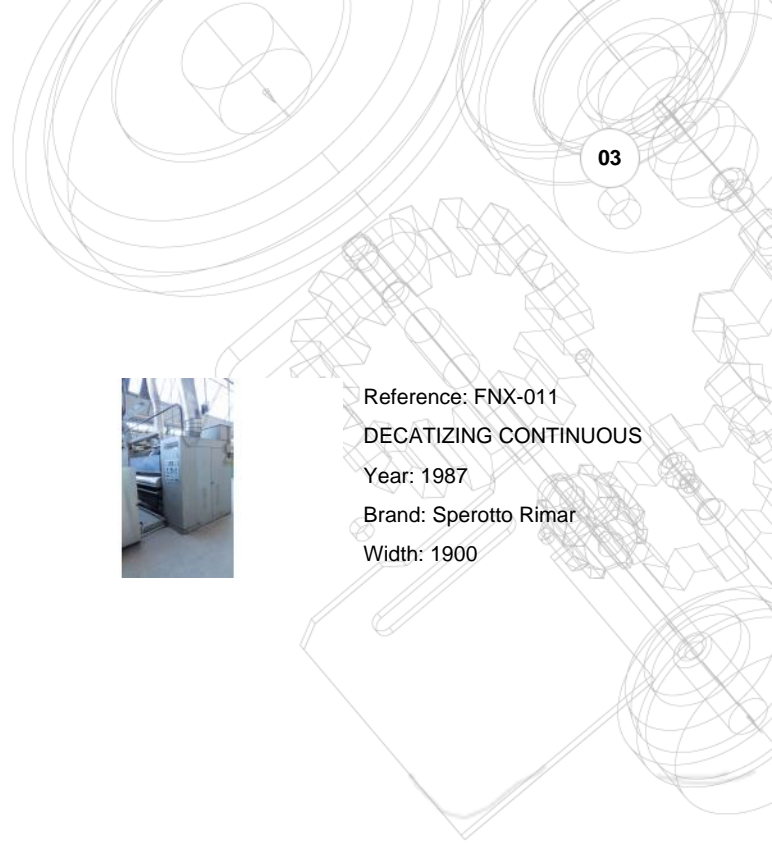
# **FNX - DYEING AND FINISHING LINE**





## INDEX

<b>FINISHING .....</b>	<b>03</b>
<b>FINISHING (AUXILIARY MACHINES) .....</b>	<b>04</b>
<b>INSPECTION, ROLLING, PACKING AND DOUBLING .....</b>	<b>05</b>



## FINISHING



Reference: FNX-249  
COMPACTOR  
Year: 1999  
Brand: Sperotto Rimar  
Width: 2400



Reference: FNX-011  
DECATIZING CONTINUOUS  
Year: 1987  
Brand: Sperotto Rimar  
Width: 1900

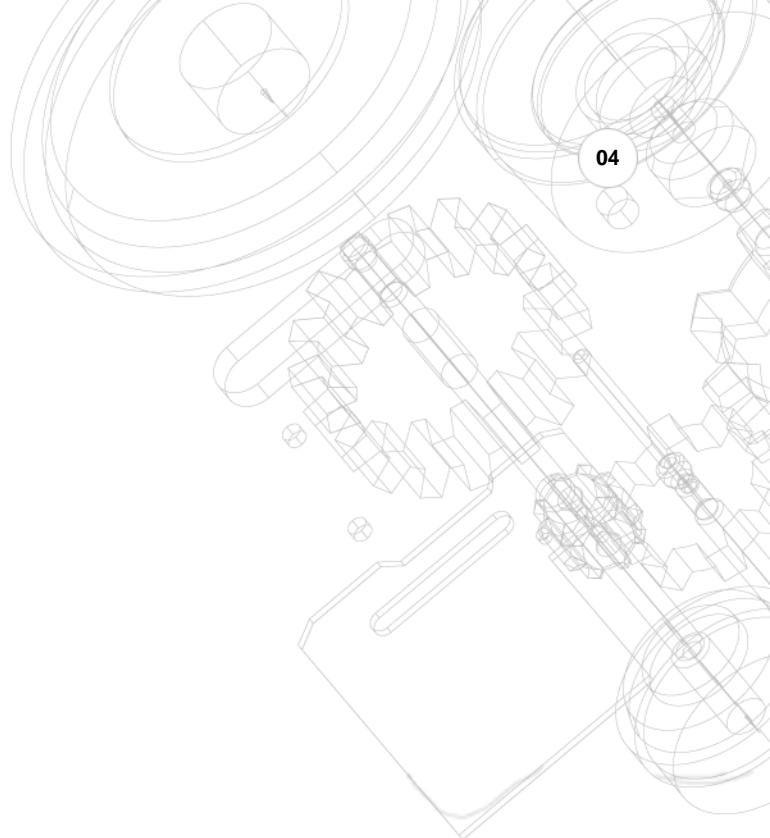


Reference: FNX-019  
DECATIZING DISCONTINUOUS  
Year: 1993  
Brand: Mario Crosta  
Width: 1950

## FINISHING (AUXILIARY MACHINES)



Reference: FNX-111  
PRODUCT KITCHEN AUTOMATIC  
Year: 1995  
Brand: Lawer  
Width: .



## INSPECTION, ROLLING, PACKING AND DOUBLING



Reference: FNX-035A

Inspecting, Rolling and Packin...

Year: 1992

Brand: Testa

Width: 2000



For more machines and pictures you can visit our web site:

**WWW.COMERCIALCATALANA.COM**

We also have available:

- Dyeing / Squeezing and impregnating padder
- Inspection, rolling and packing machines
- Hydroextractors
- Winding for beam dyeing
- A-frames diferent width
- Escales
- Laboratory equipment
- Screw compressors and air dryer
- Sewing machines
- Open width sewing machines
- Hydraulics unit
- Poliester tanks for water and liquid salt
- Stainles steel tanks, diferent capacities
- Water treatment
- Land filters
- Metallic racks
- Electric fork lifts
- Reparation and maintenance service
- New TECNOLOGIES for finishing and dyeing machinery

See our Technology section within our web site [www.comercialcatalana.com](http://www.comercialcatalana.com)