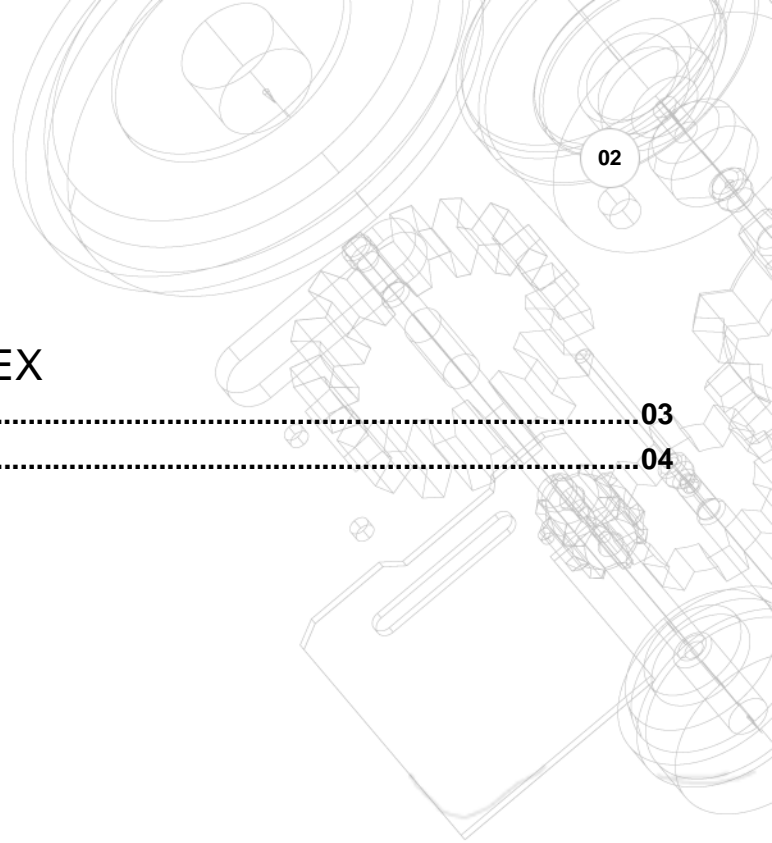




04/12/2023

# **CTB- PREPARATION, DYEING AND DRYING CONES**





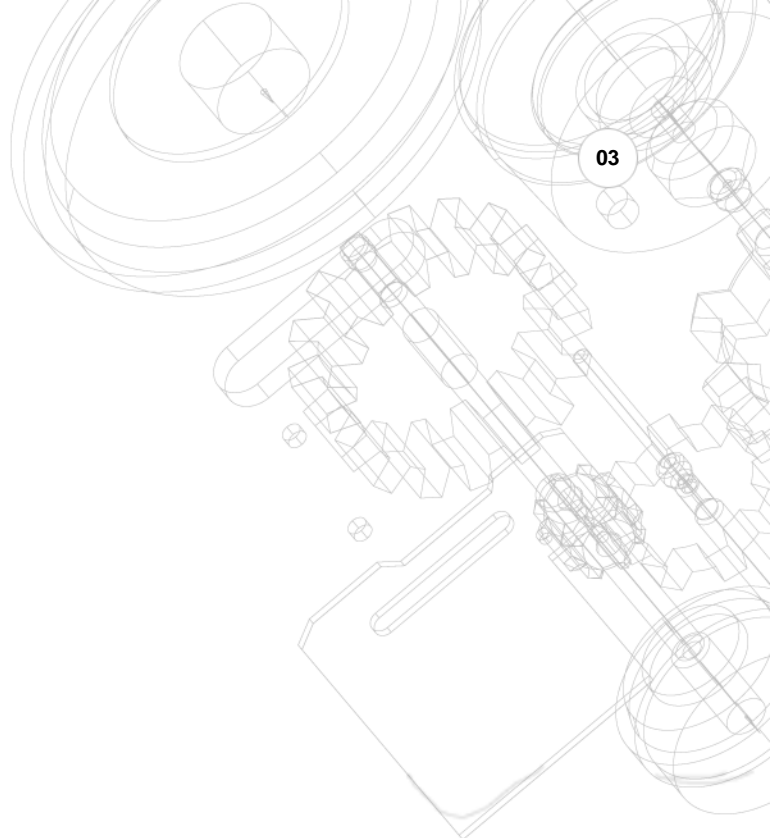
# INDEX

LABORATORY .....	03
VARIOUS .....	04

## LABORATORY



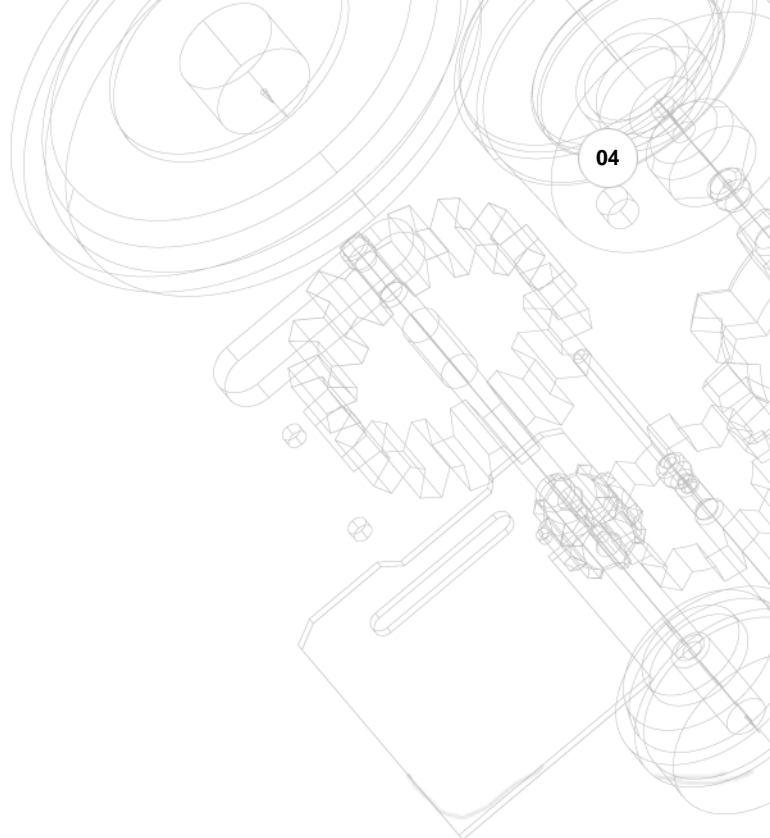
Reference: CTB-108  
laboratory sample dyer for cones  
Year: 1993  
Brand: Ugolini  
Width: .



## VARIOUS



Reference: CTB-157A  
AIR COMPRESSOR 18.5KW  
Year: 1998  
Brand: Ingersollrand  
Width: .





For more machines and pictures you can visit our web site:

**WWW.COMERCIALCATALANA.COM**

We also have available:

- Dyeing / Squeezing and impregnating padder
- Inspection, rolling and packing machines
- Hydroextractors
- Winding for beam dyeing
- A-frames diferent width
- Escales
- Laboratory equipment
- Screw compressors and air dryer
- Sewing machines
- Open width sewing machines
- Hydraulics unit
- Poliester tanks for water and liquid salt
- Stainles steel tanks, diferent capacities
- Water treatment
- Land filters
- Metallic racks
- Electric fork lifts
- Reparation and maintenance service
- New TECNOLOGIES for finishing and dyeing machinery

See our Technology section within our web site [www.comercialcatalana.com](http://www.comercialcatalana.com)