

Reference: FNX-249

Type: CK/240

Name: COMPACTOR

Year: 1999

Brand: Sperotto Rimar

Width: 2400

Description: SPEROTTO RIMAR open with compacting machine for knitting fabric.

Type CK 240

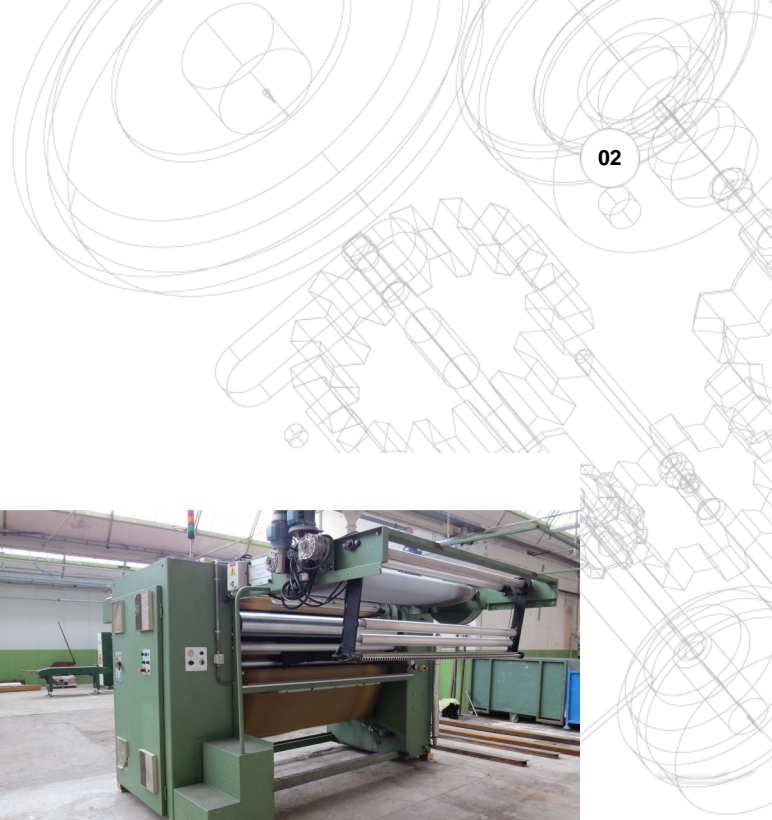
Year 1999

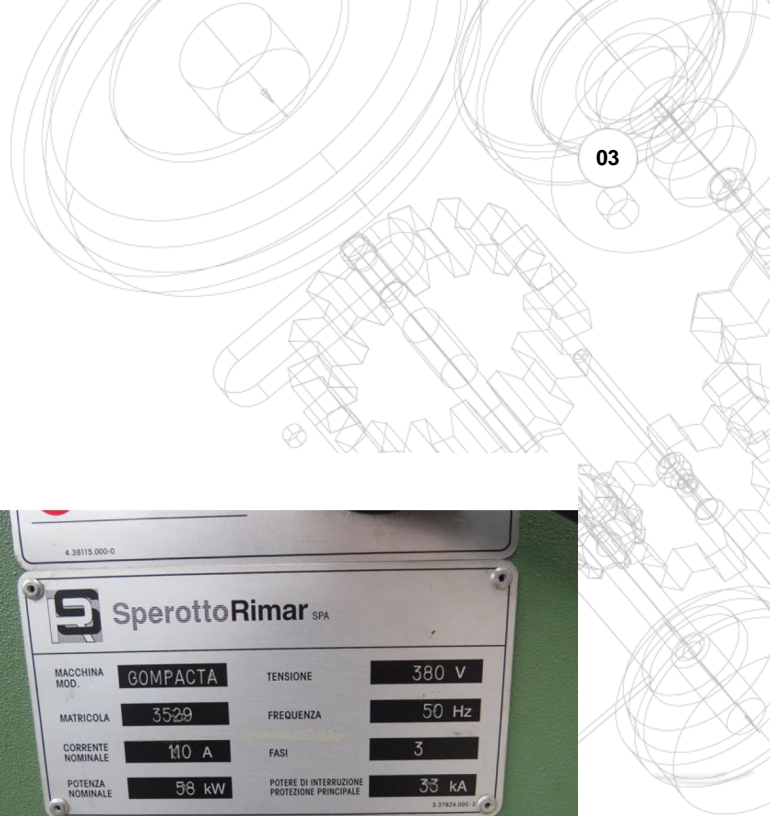
Nominal width 2400 mm

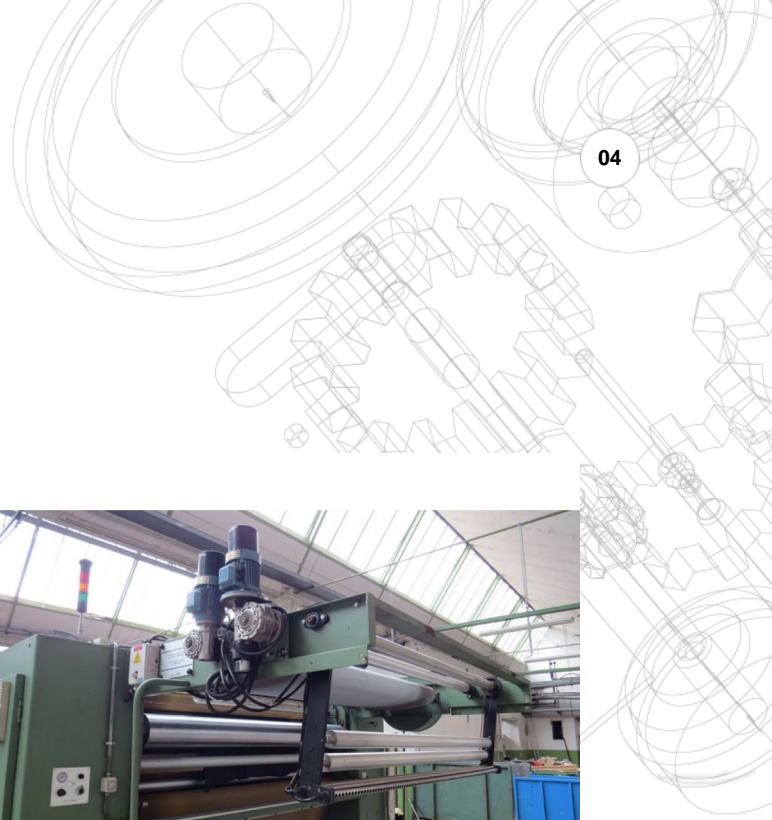
Max fabric width 2200 mm

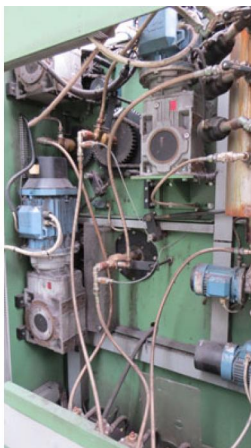
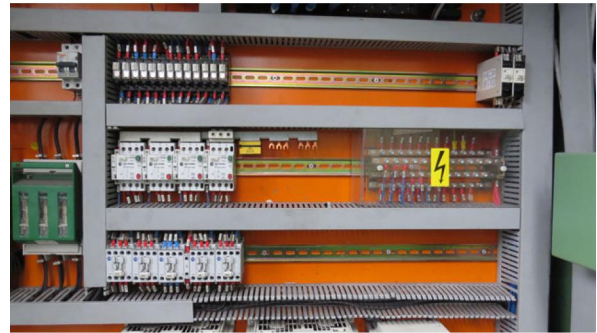
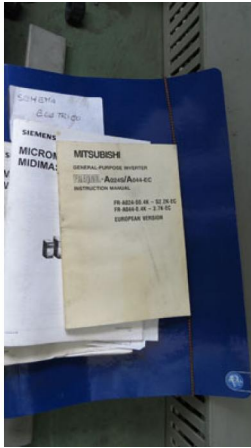
Compacting unit

Outlet with plaiter.











COMERCIAL  
CATALANA  
DE MAQUINARIA TEXTIL S.A.

